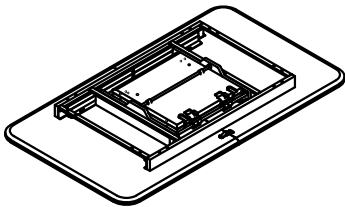
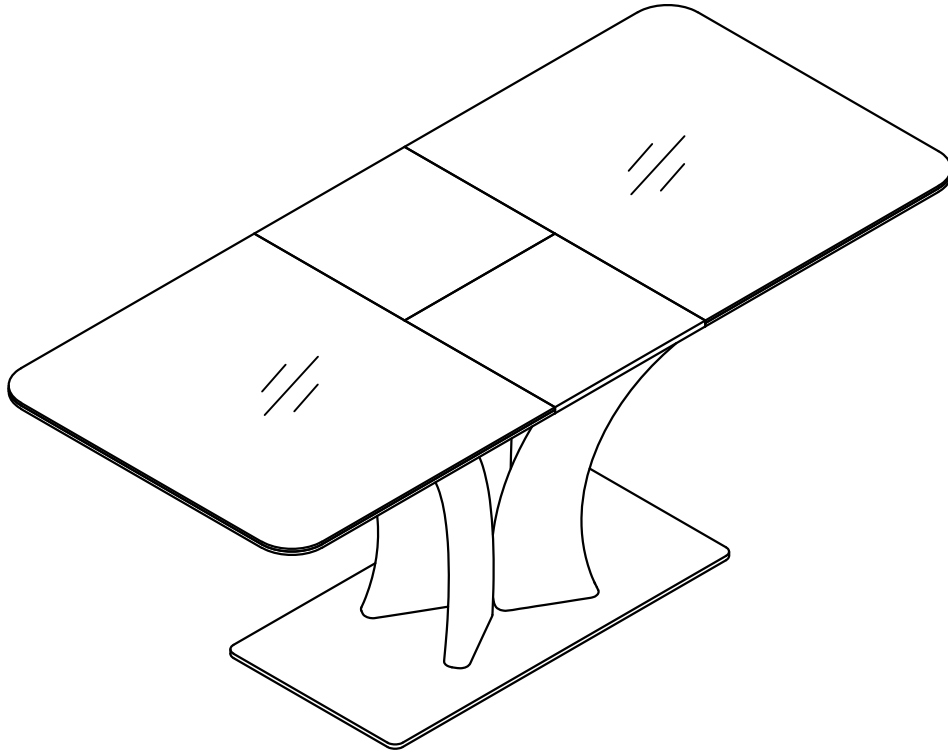


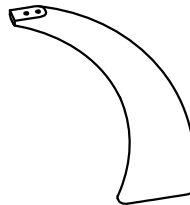
ASSEMBLY INSTRUCTION



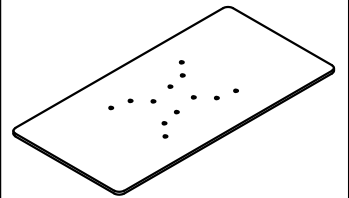
① x1



② x4

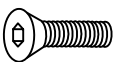


③ x4



④ x1

A (M8x25) x20



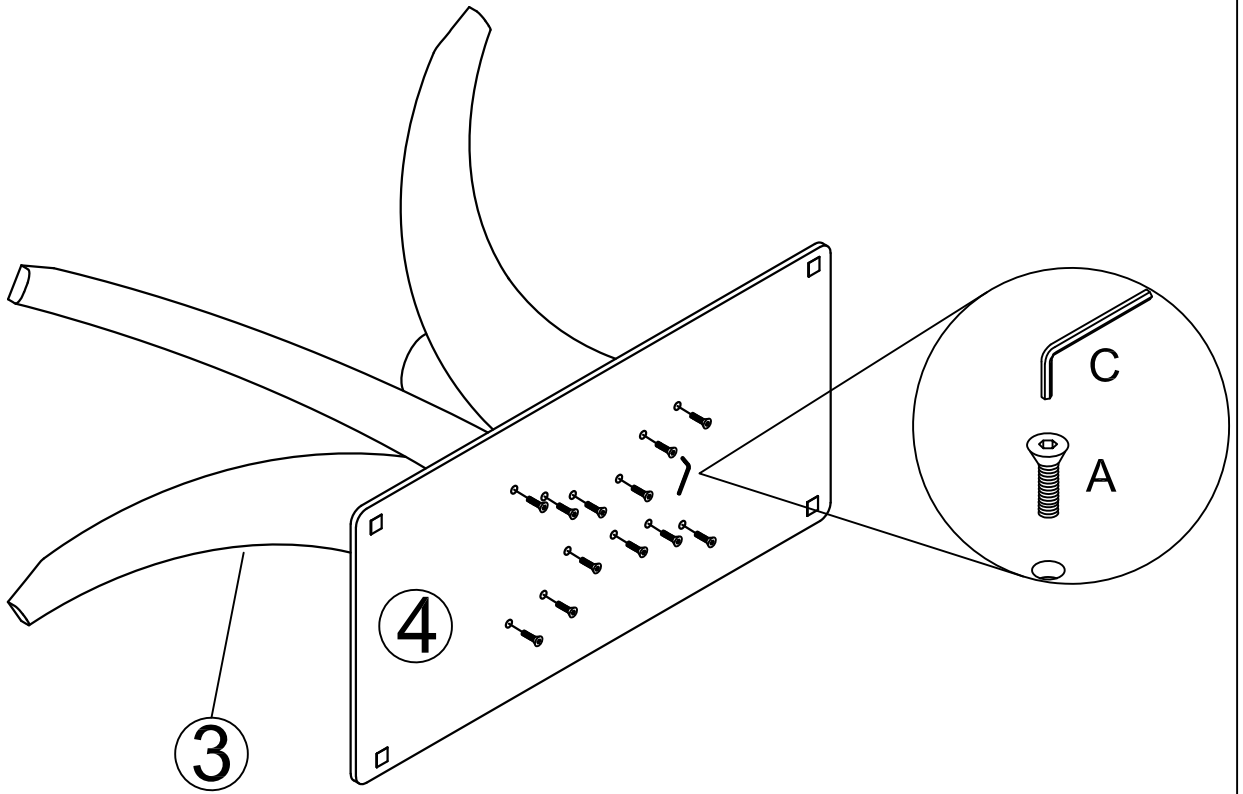
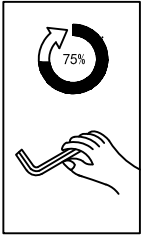
B (M8x16) x16



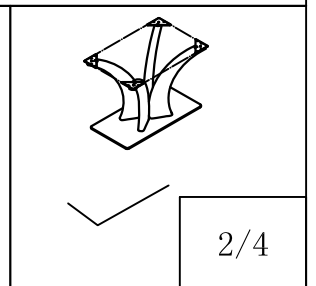
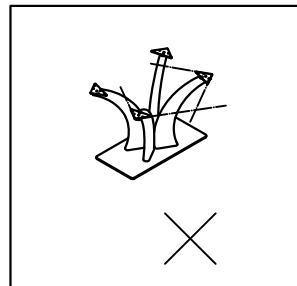
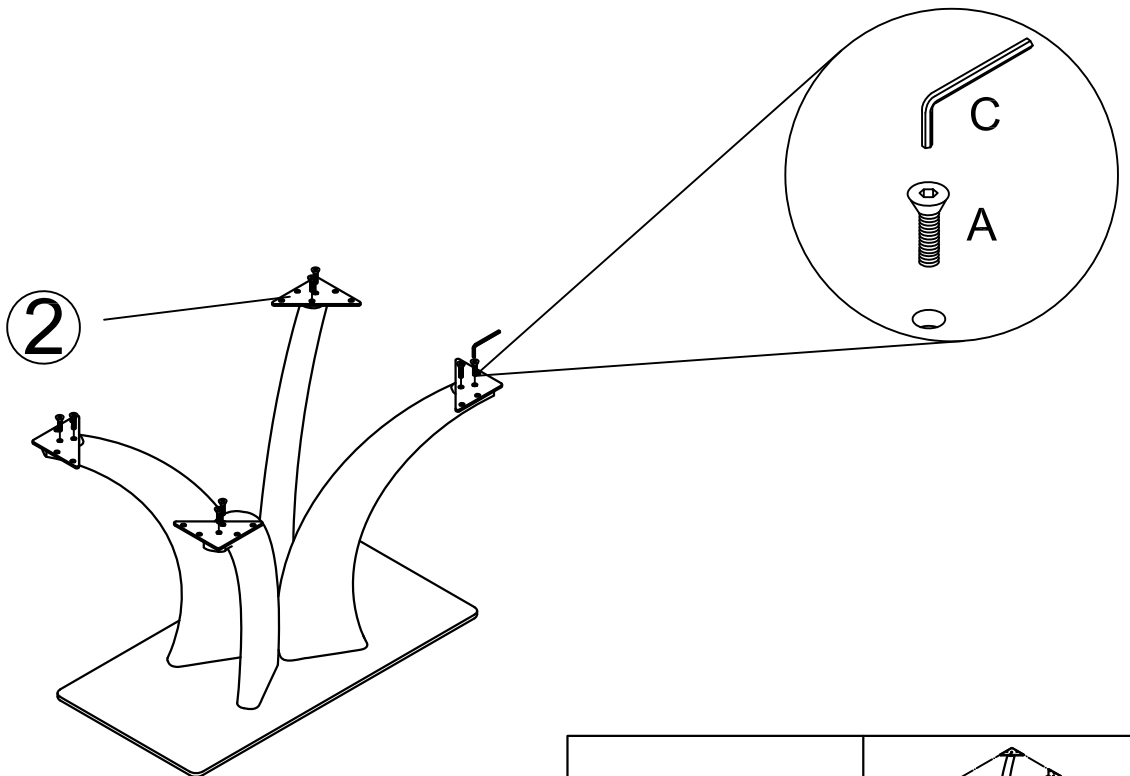
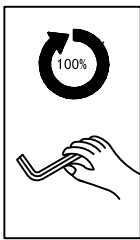
C (M5) x1



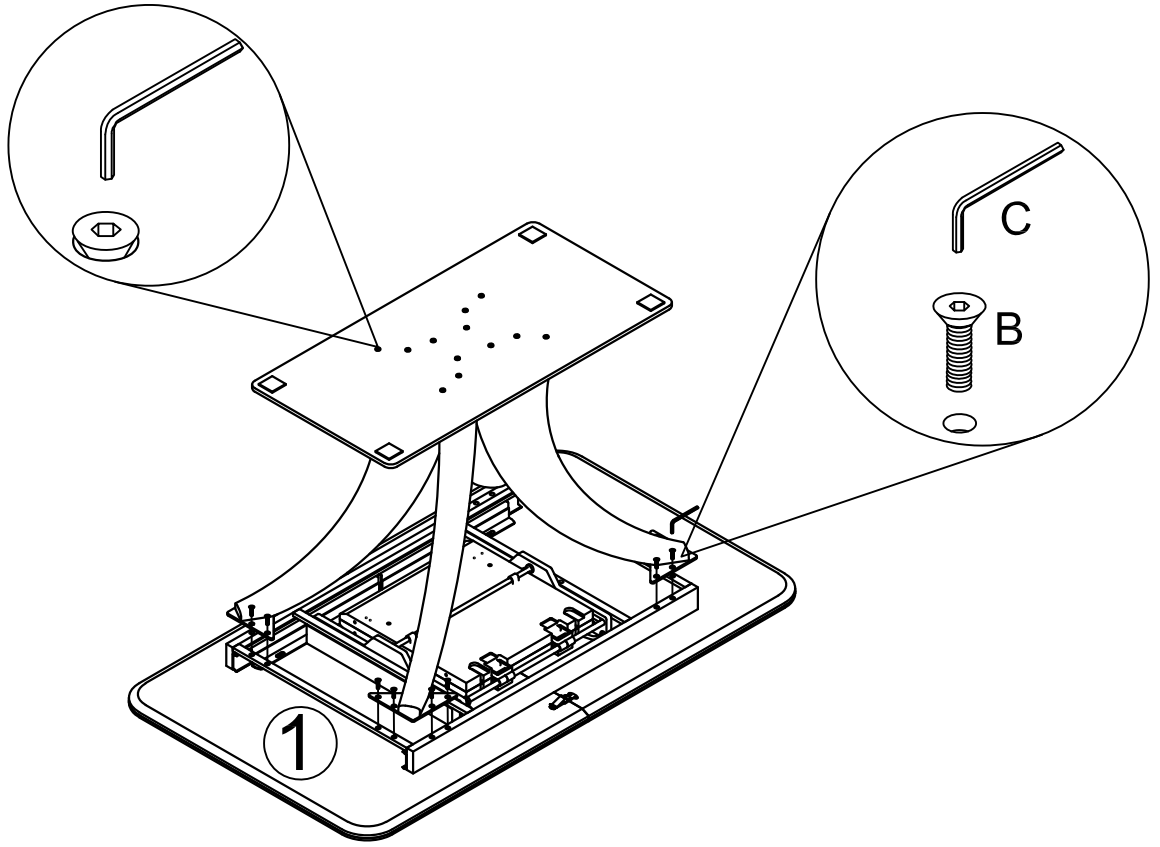
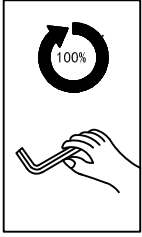
STEP1



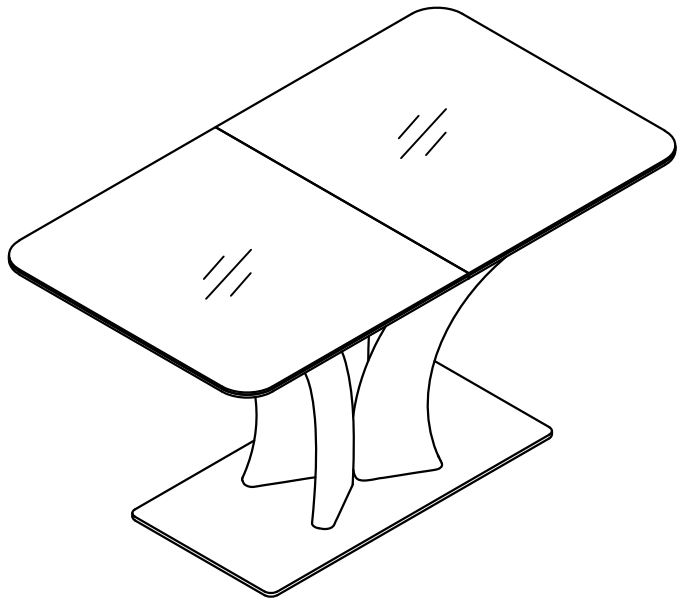
STEP2



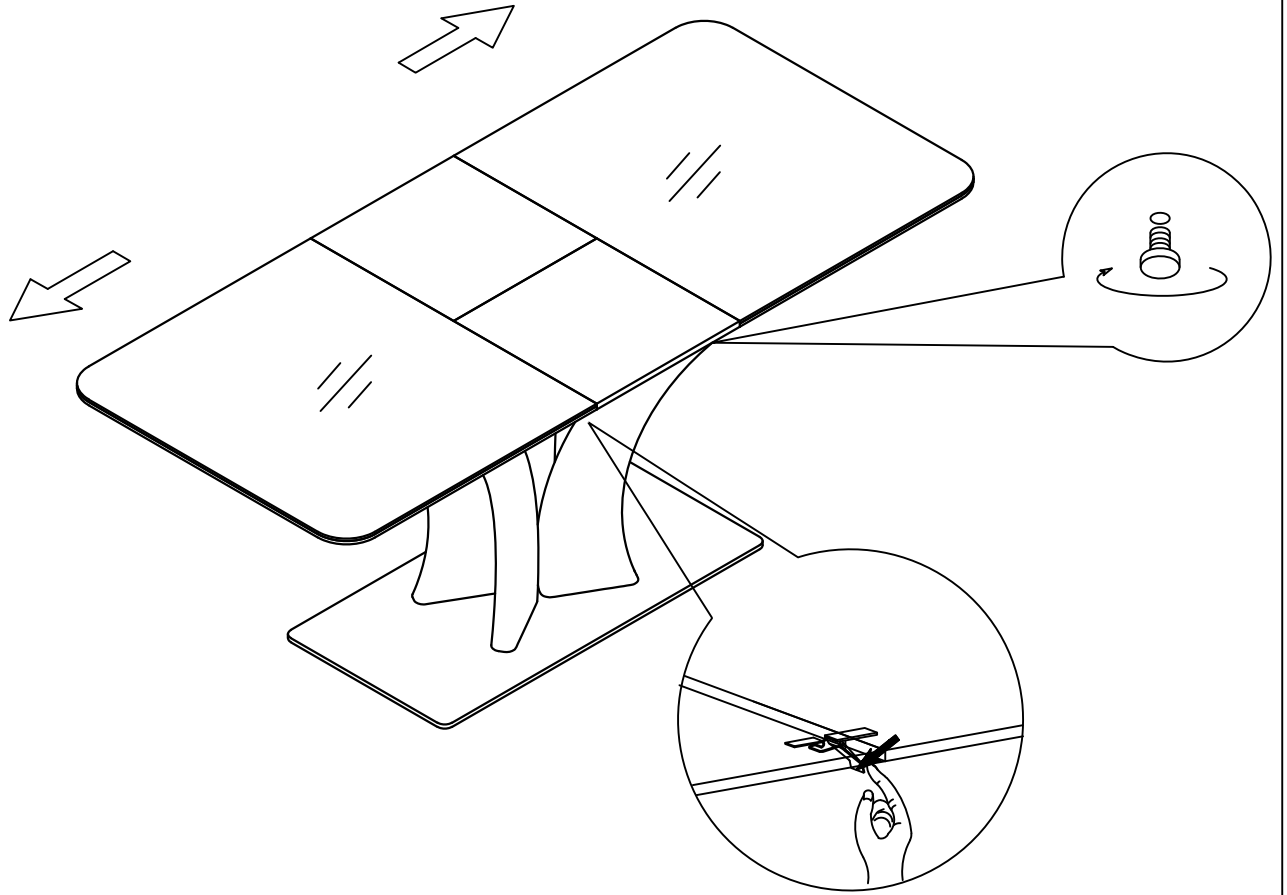
STEP3



STEP4



STEP5



STEP6

